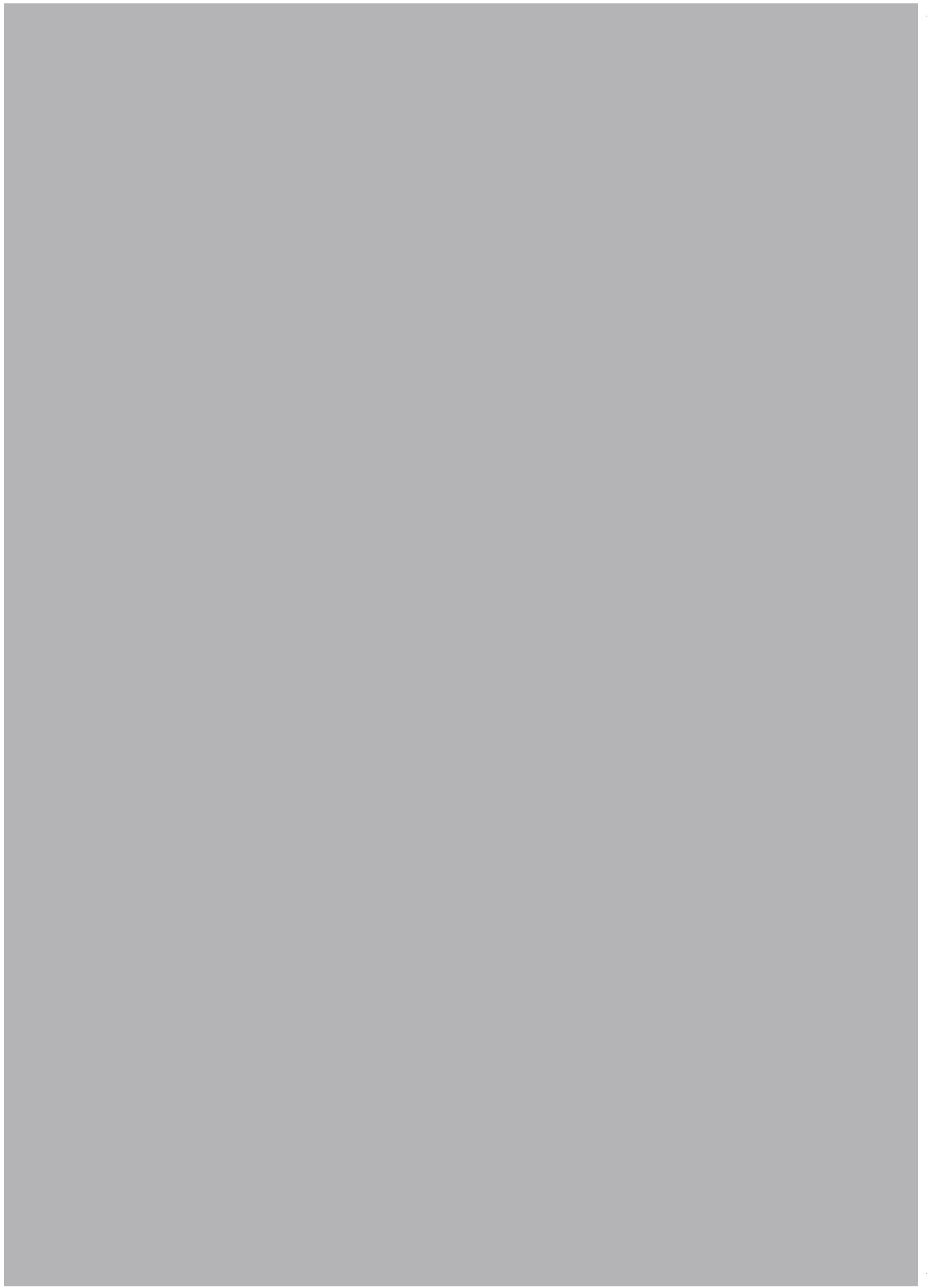


**MİMARİ KATALOG**  
**ARCHITECTURAL CATALOGUE**

**Alüminyum Kapı Pencere ve Giydirme Cephe Sistemleri**  
Aluminium Window Doors and Facade Systems



**AS50**



# MİMARİ KATALOG ARCHITECTURAL CATALOGUE

Alüminyum Kapı Pencere ve Giydirme Cephe Sistemleri  
Aluminium Window Doors and Facade Systems



Rescara Sistem Detayları  
Rescara System Details

# AS50

PROFİLLER

PROFILES

11

12

13

14

15

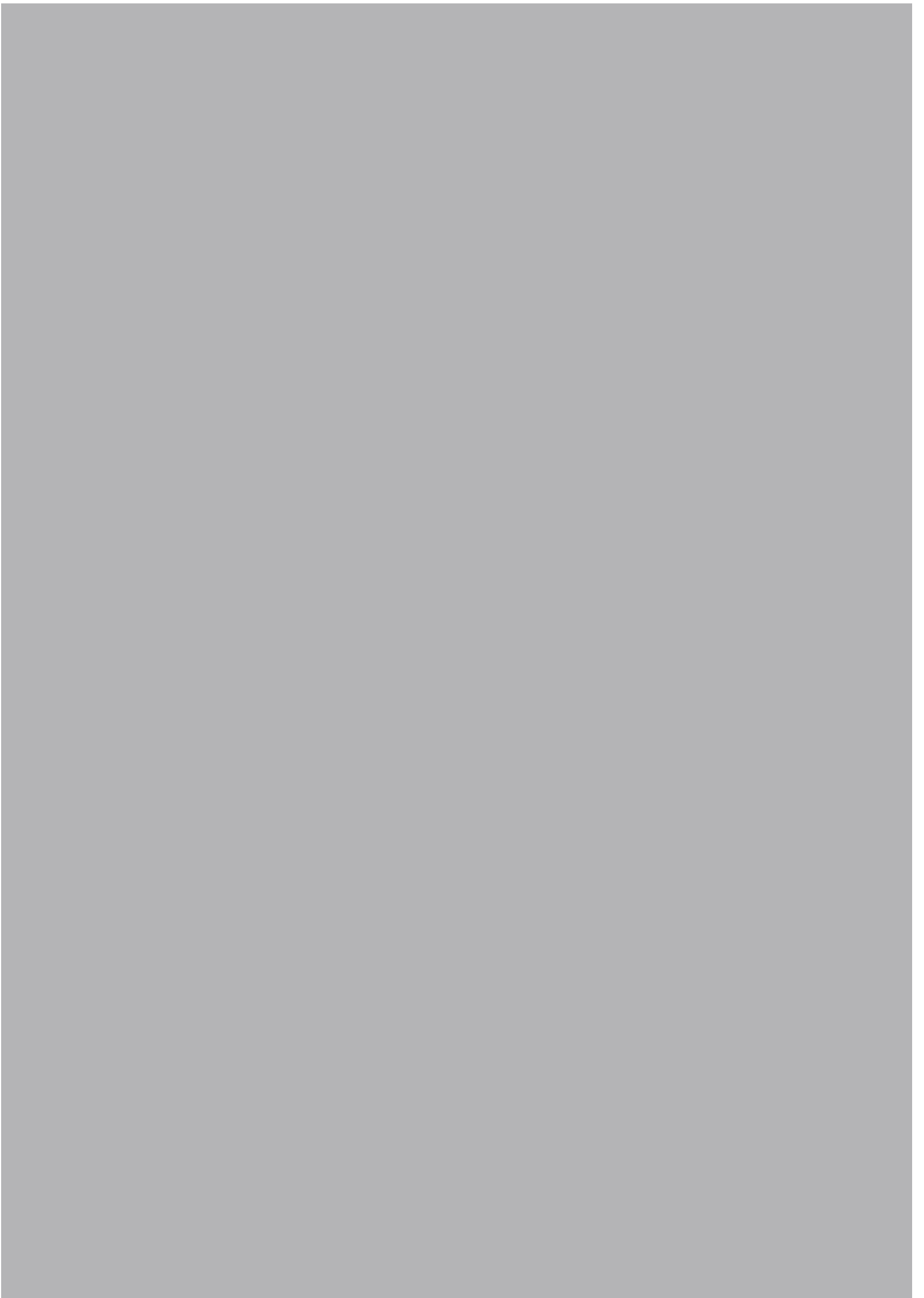
16

17

18

19

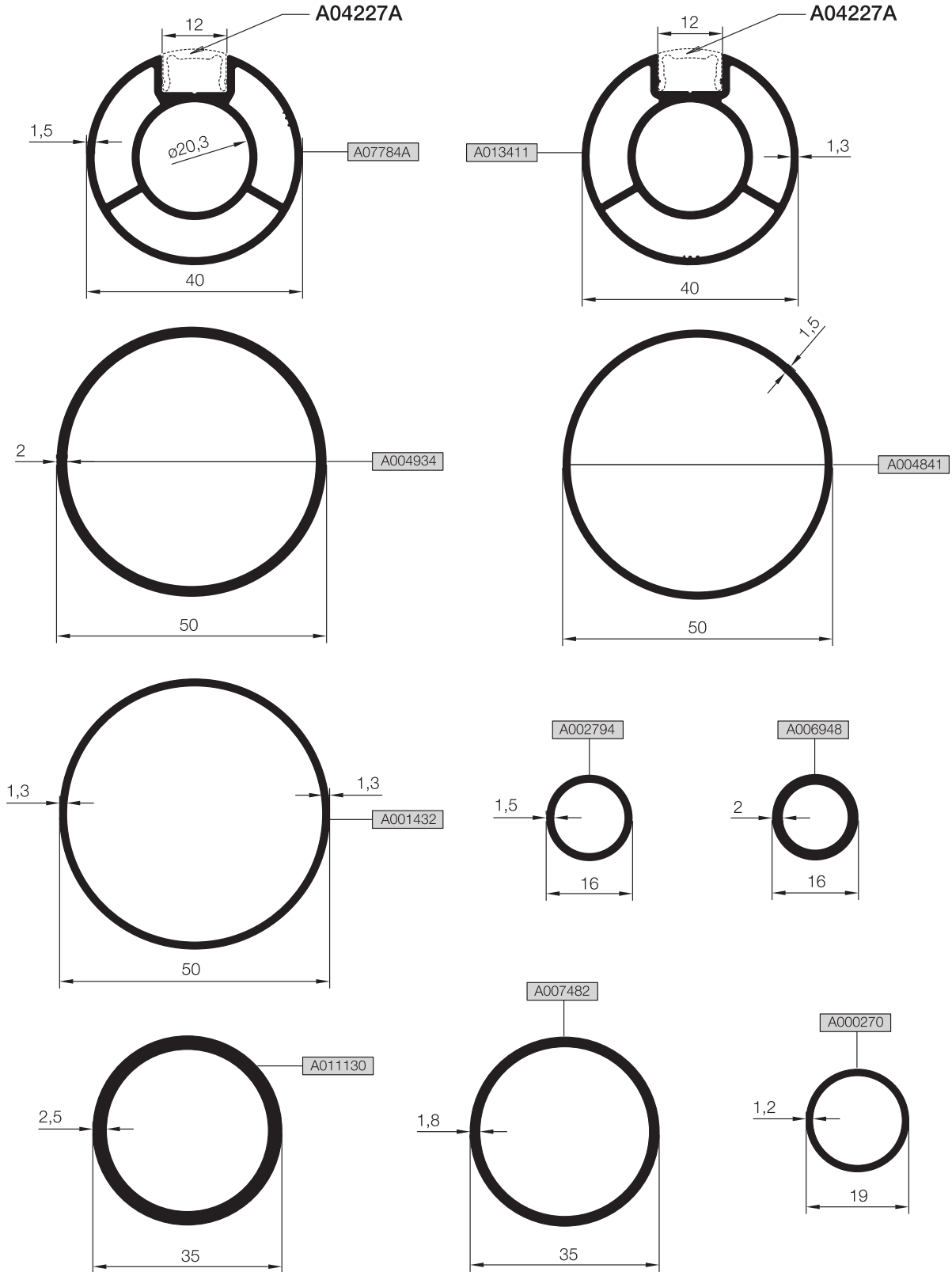
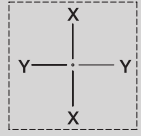
20



PROFİLLER  
PROFILES

# AS50

KOD / CODE	AĞIRLIK (kg/m) / WEIGHT	L m	KOD / CODE	AĞIRLIK (kg/m) / WEIGHT	L m
A07784A	0,864	6	A002794	0,185	6
A013411	0,776	6	A006948	0,238	6
A004934	0,817	6	A011130	0,692	6
A004841	0,620	6	A007482	0,508	6
A001432	0,539	6	A000270	0,182	6



11

12

13

14

15

16

17

18

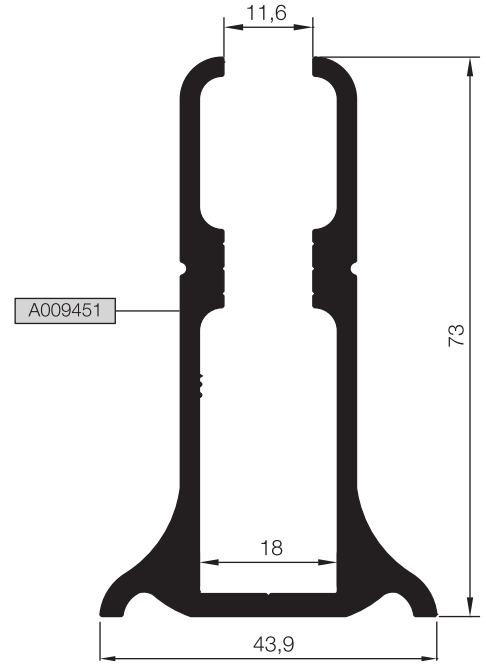
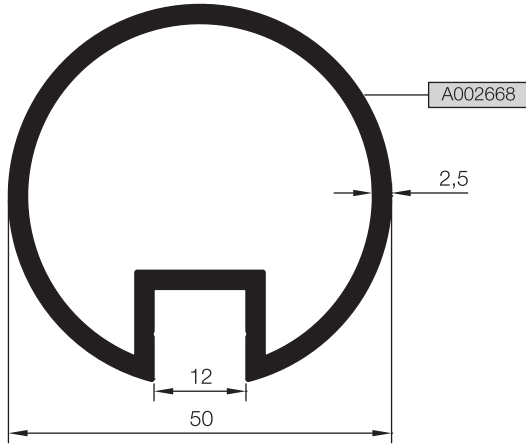
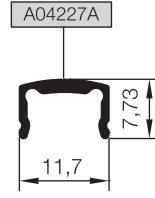
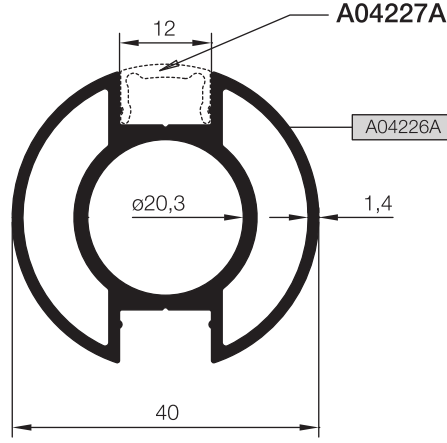
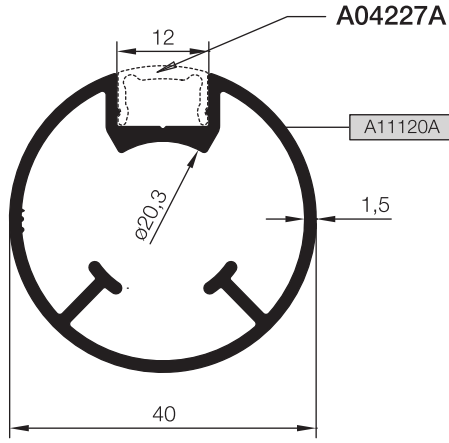
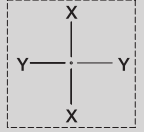
19

20

PROFİLLER  
PROFILES

# AS50

KOD / CODE	AĞIRLIK (kg/m) / WEIGHT	L m	KOD / CODE	AĞIRLIK (kg/m) / WEIGHT	L m
A11120A	0,675	6	A002668	1,117	6
A04226A	0,864	6	A009451	1,689	6
A04227A	0,074	6			



STOKTA BULUNAN SİSTEM PROFİLLERİNİN LİSTESİ (LIST OF SYSTEM PROFILES IN STOCK)

Nr	MIN. SİPARİŞ MİKTARI MIN. ORDER QUANTITY
A000270	75 kg
A002794	75 kg
A004841	75 kg
A004934	75 kg
A006948	75 kg
A007482	75 kg
A011130	75 kg
A011678	75 kg
A013411	75 kg
A04227A	75 kg
A07784A	75 kg
A11120A	75 kg

\* STOKTA BULUNMAYAN TÜM PROFİLLER İÇİN MINİMUM SİPARİŞ MİKTARI 300'KG'DİR.  
MINIMUM ORDER QUANTITY FOR ALL THE PROFILES THAT ARE NOT IN STOCK IS 300 KG.

# MİMARİ KATALOG ARCHITECTURAL CATALOGUE

Alüminyum Kapı Pencere ve Giydirme Cephe Sistemleri  
Aluminium Window Doors and Facade Systems



Rescara Sistem Detayları  
Rescara System Details

# AS50

AKSESUARLAR

ACCESSORIES

11

12

13

14

15

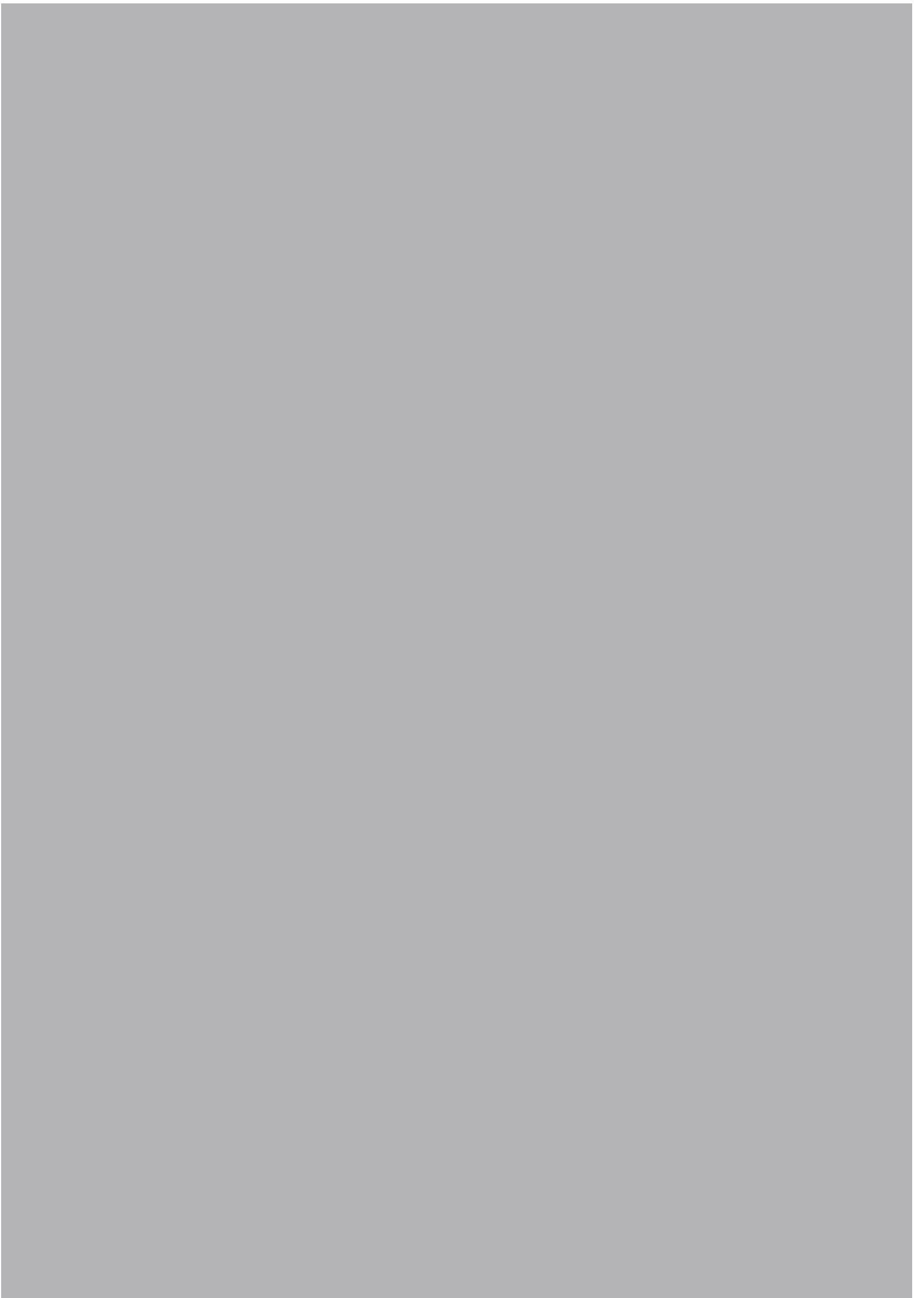
16

17


18

19

20





 <p><b>AS-07</b> 040 YARIKLI TAPA TAKIM 040 SLOTTED PLUG SET [AS_07A - AS_14]</p>	 <p><b>AS-13</b>  050 DAR BİLEZİK 050 ANNULET</p>	 <p><b>AS-17</b>  016 BİLEZİK 016 ATTACHMENT</p>	 <p><b>AS-18</b>  016 DOLU TUTUCU 016 TUBE CONNECTIONS</p>	11
 <p><b>AS-19</b>  040 DİKME TAPASI 040 COLUMN PLUG</p>	 <p><b>AS-20</b>  050 BORU TAPASI 050 PIPE PLUG</p>	 <p><b>AS-21</b> 016 BORU TAPASI [2794 ve 6948 için] 016 PIPE PLUG [for 2794 &amp; 6948]</p>	 <p><b>AS-27</b>  050 GENİŞ BİLEZİK 050 METAL RING</p>	12
 <p><b>AS-30</b>  11x11 CAM STÖBU 11x11 GLASS STOPPER</p>	 <p><b>AS-34</b>  DUVAR BAĞLANTI WALL BRACKET</p>	 <p><b>AS-35</b>  050 TOPUZ 050 KNOT</p>	 <p><b>AS-40</b>  040 TIRNAKSIZ BORU FLANŞI 040 PIPE FLANGE</p>	14
 <p><b>AS-42</b>  040 BORUYA GÖRE CAM TUTUCU GLASS HOLDER FOR 040 PIPE</p>	 <p><b>AS-70</b>  050 90° DÖNÜŞ 050 mm ELBOW 90° DEGREES</p>	 <p><b>AS-71</b>  050 45° DÖNÜŞ 050mm ELBOW 45° DEGREES</p>	 <p><b>AS-73</b>  016 İÇİN 45° DÖNÜŞ PROFİLİ 016mm ELBOW 45° DEGREES</p>	15
 <p><b>AS-74</b>  016 İÇİN 90° DÖNÜŞ PROFİLİ 016mm ELBOW 90° DEGREES</p>	 <p><b>AS-78</b>  EPOKSİ TABANCA EPOXY GUN</p>	 <p><b>AS-84</b> 040 DİKMEYE GÖRE DEKÖRLÜ KURT AĞZI DECORATIVE DOVETAIL FOR 040 COLUMN</p>	 <p><b>AS-95</b>  040 ÇİFT DELİKLİ DUVAR FLANŞI 040 DOUBLE-HOLE WALL FLANGE</p>	17
 <p><b>AS-102</b>  040 TEK TIRNAKLI DİKME FLANŞI 040 COLUMN FLANGE</p>	 <p><b>AS-103</b>  040 AÇILI DUVAR FLANŞ TAKIMI ANGULAR WALL FLANGE SET</p>	 <p><b>AS-108</b>  050 BORU YARIKLI TAPA TAKIMI 050 PIPE SLOTTED PLUG SET [AS_43 + AS_14]</p>	 <p><b>AS-109</b>  050 KÜRE DİRSEK 050 GLOBE BEND</p>	18
 <p><b>AS-115</b>  050 ÜÇ DELİKLİ BORU FLANŞI 050 EXTERNAL</p>	 <p><b>AS-116</b>  040 ÜÇ DELİKLİ BORU FLANŞI 040 EXTERNAL</p>	 <p><b>AS-120</b>  KAPI MENTESESİ DOOR HINGE</p>	 <p><b>AS-121</b>  KİMYASAL YAPISTIRICI ADHESIVE OF ANCHOR</p>	19
 <p><b>AS-123</b>  KAPI SÜRGÜSÜ DOOR BOLT</p>	 <p><b>AS-125</b> 040 DİKME YANDAN ÖZEL ARA BAĞLANTI SPECIAL LATERAL CONNECTION FOR 040 COLUMN</p>	 <p><b>AS-138</b>  016 MEZRAK TAPA</p>	 <p><b>AS-155</b>  050 LİK 90° ŞİŞME DİRSEK 050mm ELBOW 90° DEGREES</p>	20

11



12



13

14

15

16

17

18

19

20