

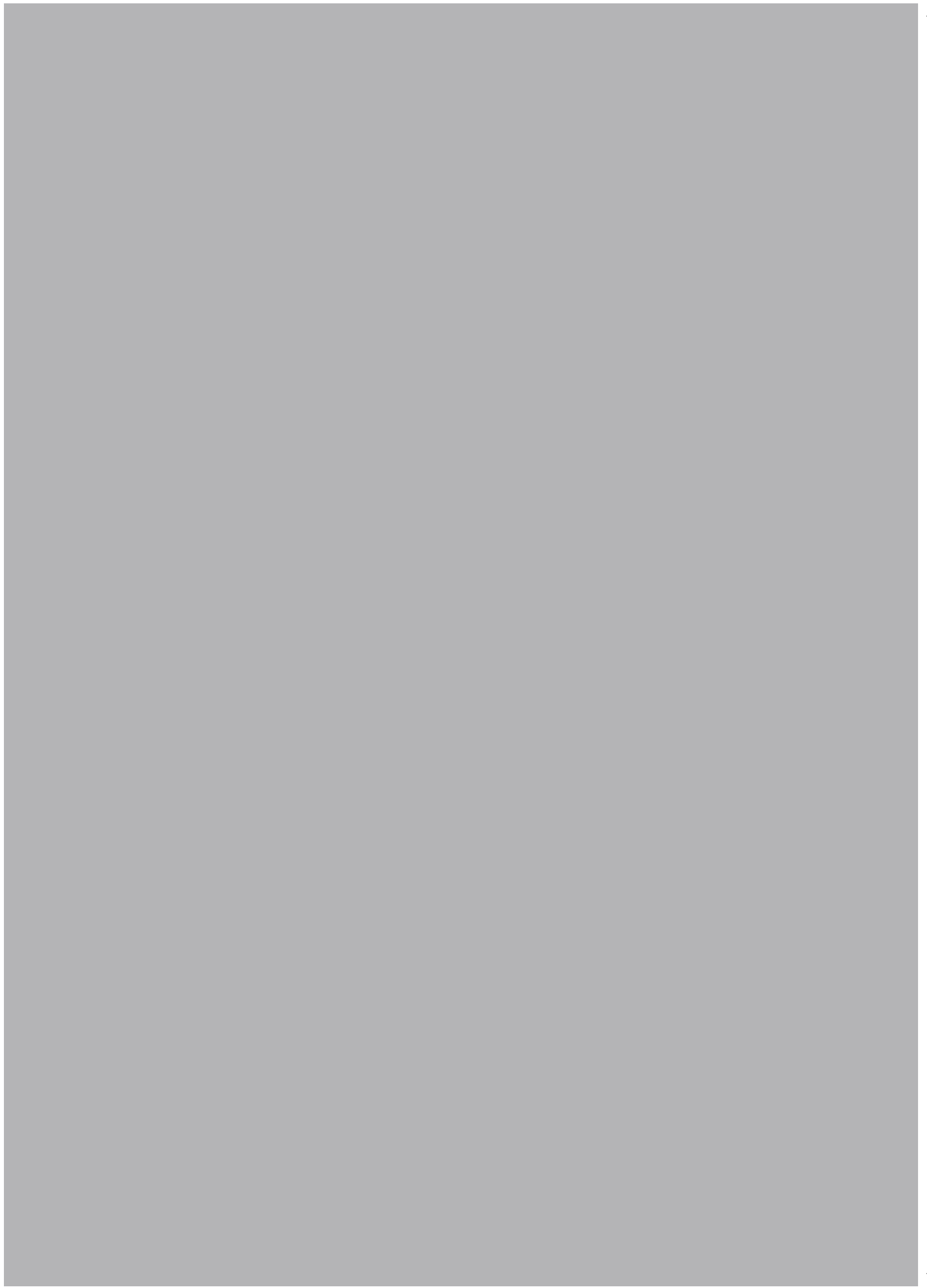
MİMARİ KATALOG
ARCHITECTURAL CATALOGUE

Alüminyum Kapı Pencere ve Giydirme Cephe Sistemleri
Aluminium Window Doors and Facade Systems

RESCARA



RSG104



MİMARİ KATALOG ARCHITECTURAL CATALOGUE

Alüminyum Kapı Pencere ve Giydirme Cephe Sistemleri
Aluminium Window Doors and Facade Systems



Rescara Sistem Detayları
Rescara System Details

RSG104

PROFİLLER

PROFILES

01

02

03

04

05

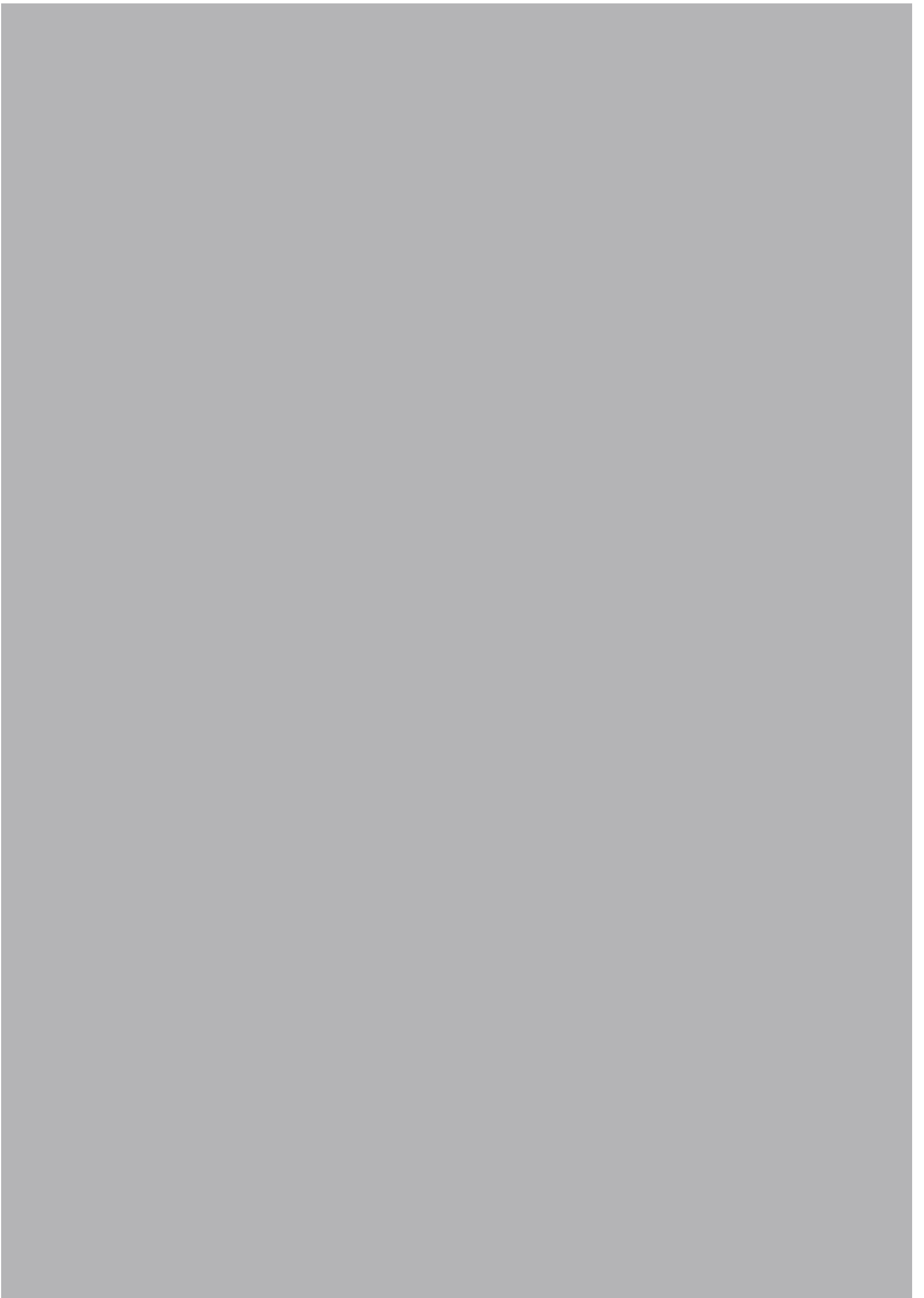
06

07

08

09

10

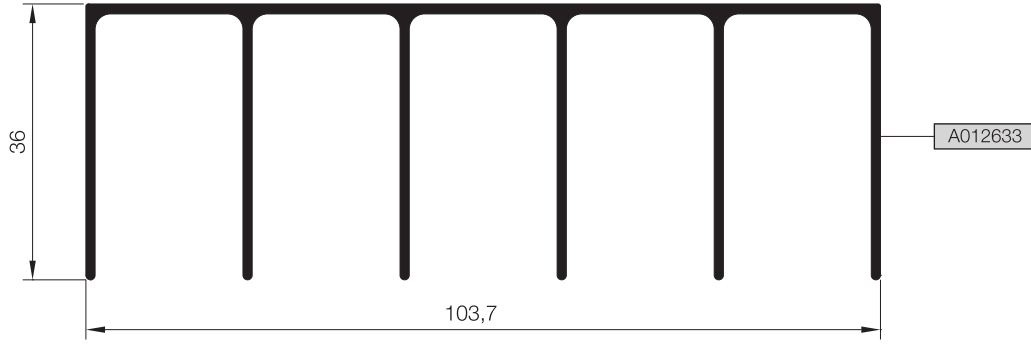


KASA PROFİLLERİ
FRAME PROFILES

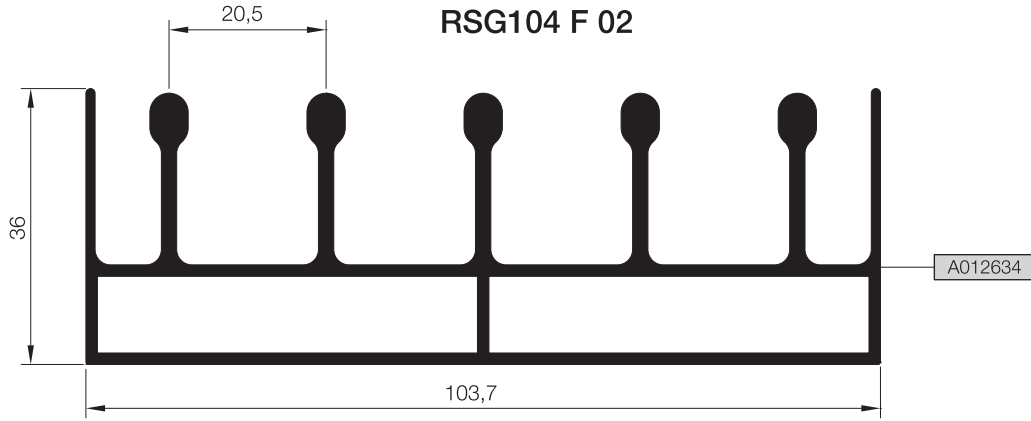
RSG104

KOD / CODE	AĞIRLIK (kg/m) / WEIGHT	Jxx cm ⁴	Jyy cm ⁴	L m	
RSG104 F 01	1,063	43,378	5,387	6	
RSG104 F 02	1,966	76,885	9,388	6	
RSG104 F 03	1,119	44,501	2,845	6	

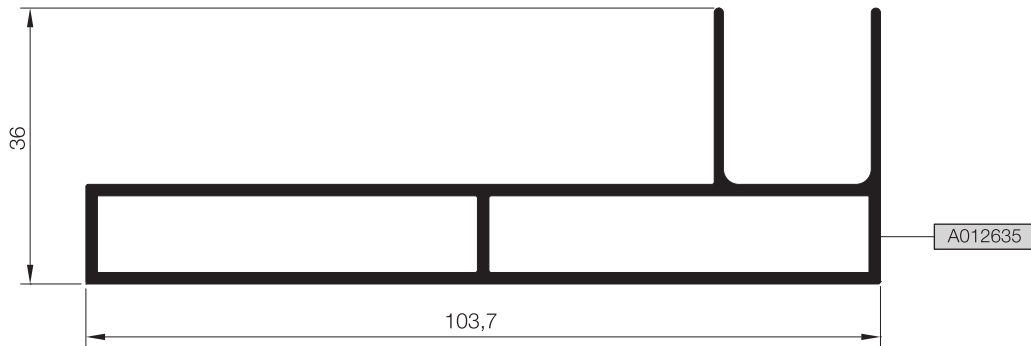
RSG104 F 01



RSG104 F 02



RSG104 F 03



01

02

03

04

05

06

07

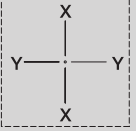
08

09

10

KASA PROFİLLERİ
FRAME PROFILES

RSG104

KOD / CODE	AĞIRLIK (kg/m) / WEIGHT	Jxx cm ⁴	Jyy cm ⁴	L m	
RSG104 F 04	0,976	30,332	0,954	6	
RSG104 F 05	0,589	19,501	0,075	6	

01

02

03

04

05

06

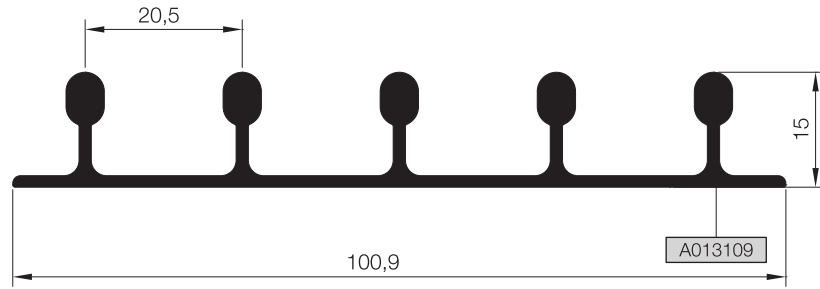
07

08

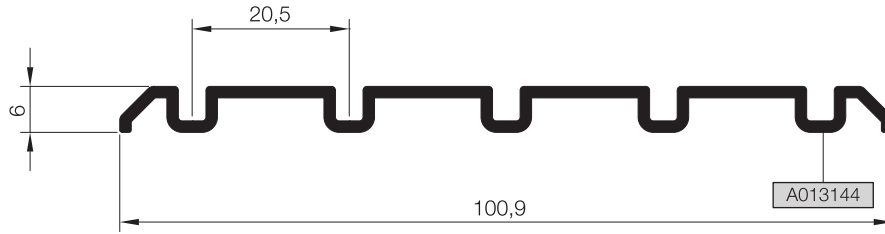
09

10

RSG104 F 04

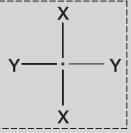


RSG104 F 05

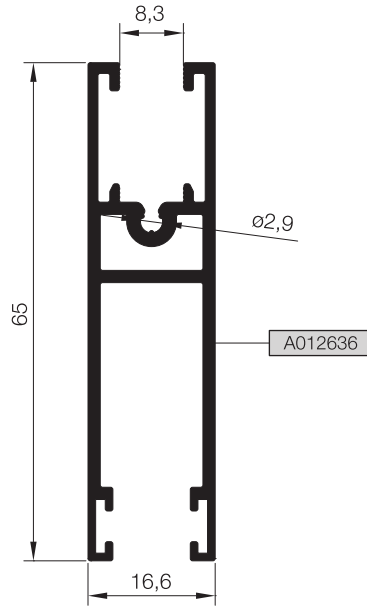


KANAT VE ADAPTÖR PROFİLLERİ
VENT AND ADAPTER PROFILES

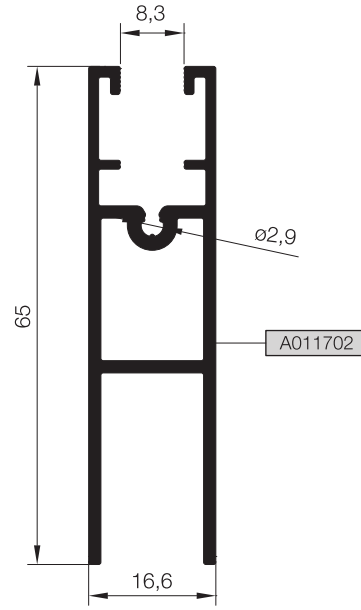
RSG104

KOD / CODE	AĞIRLIK (kg/m) / WEIGHT	Jxx cm ⁴	Jyy cm ⁴	L m	
RSG104 V 01	0,756	1,252	8,996	6	
RSG104 V 03	0,743	1,253	8,750	6	
RSG104 A 01	0,140	0,137	0,057	6	
RSG104 A 02	0,188	0,154	0,293	6	
RSG104 A 03	0,291	0,373	0,993	6	
RSG104 A 04	0,210	0,644	0,421	6	

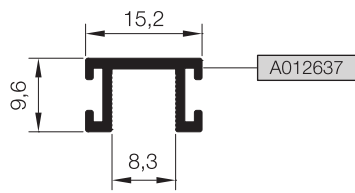
RSG104 V 01



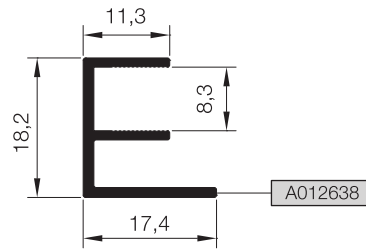
RSG104 V 03



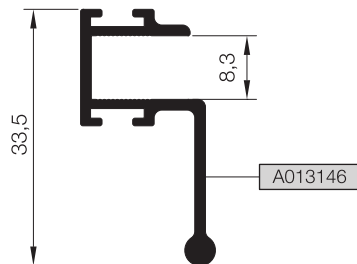
RSG104 A 01



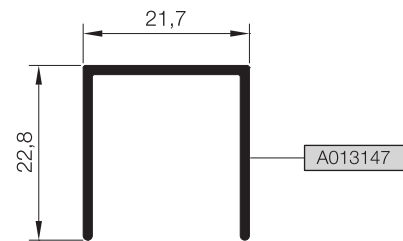
RSG104 A 02



RSG104 A 03



RSG104 A 04



01

02

03

04

05

06

07

08

09

10

RSG104

STOKTA BULUNAN SİSTEM PROFİLLERİNİN LİSTESİ (LIST OF SYSTEM PROFILES IN STOCK)

Nr		MIN. SİPARİŞ MİKTARI MIN. ORDER QUANTITY
RSG104 F 01	A012633	75 kg
RSG104 F 02	A012634	75 kg
RSG104 F 03	A012635	75 kg
RSG104 F 05	A013144	75 kg
RSG104 A 03	A013146	75 kg

* STOKTA BULUNMAYAN TÜM PROFİLLER İÇİN MINİMUM SİPARİŞ MİKTARI 300*KG'DİR.
MINIMUM ORDER QUANTITY FOR ALL THE PROFILES THAT ARE NOT IN STOCK IS 300 KG.

01

02

03

04

05

06

07

08

09

10

MİMARİ KATALOG ARCHITECTURAL CATALOGUE

Alüminyum Kapı Pencere ve Giydirme Cephe Sistemleri
Aluminium Window Doors and Facade Systems



Rescara Sistem Detayları
Rescara System Details

RSG104

DETAYLAR

DETAILS

01

02

03

04

05

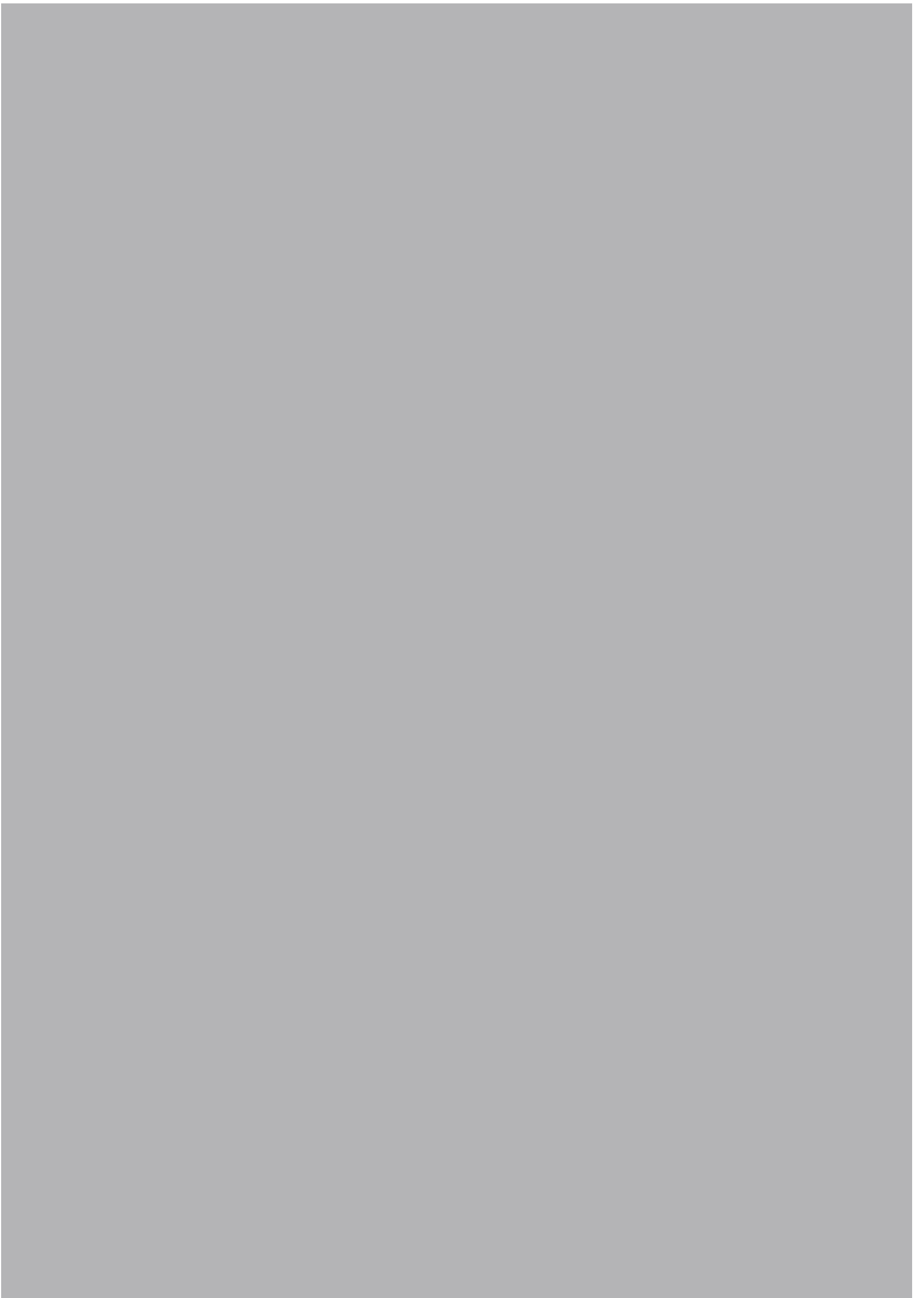
06

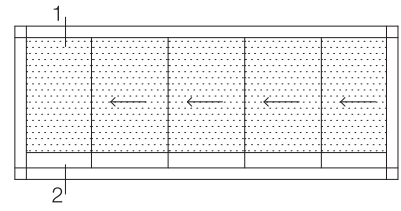
07

08

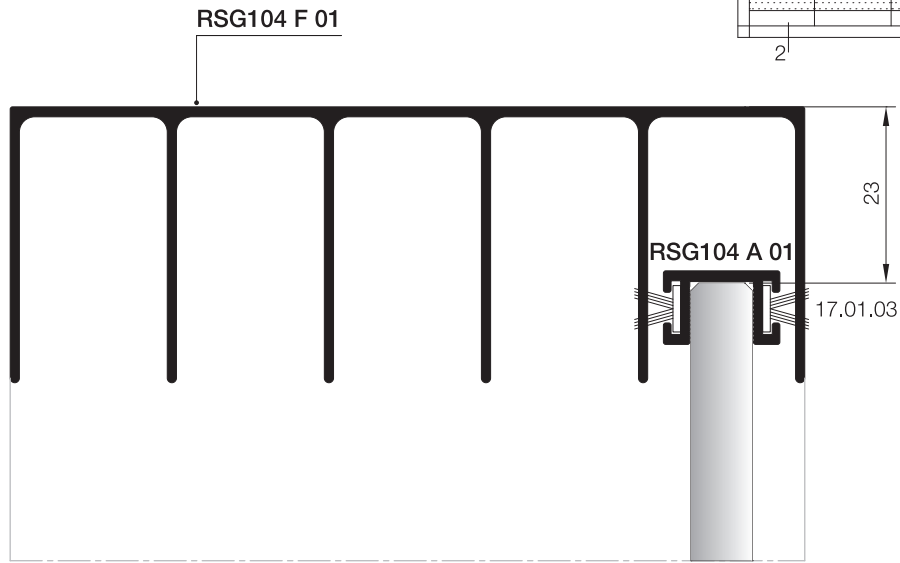
09

10

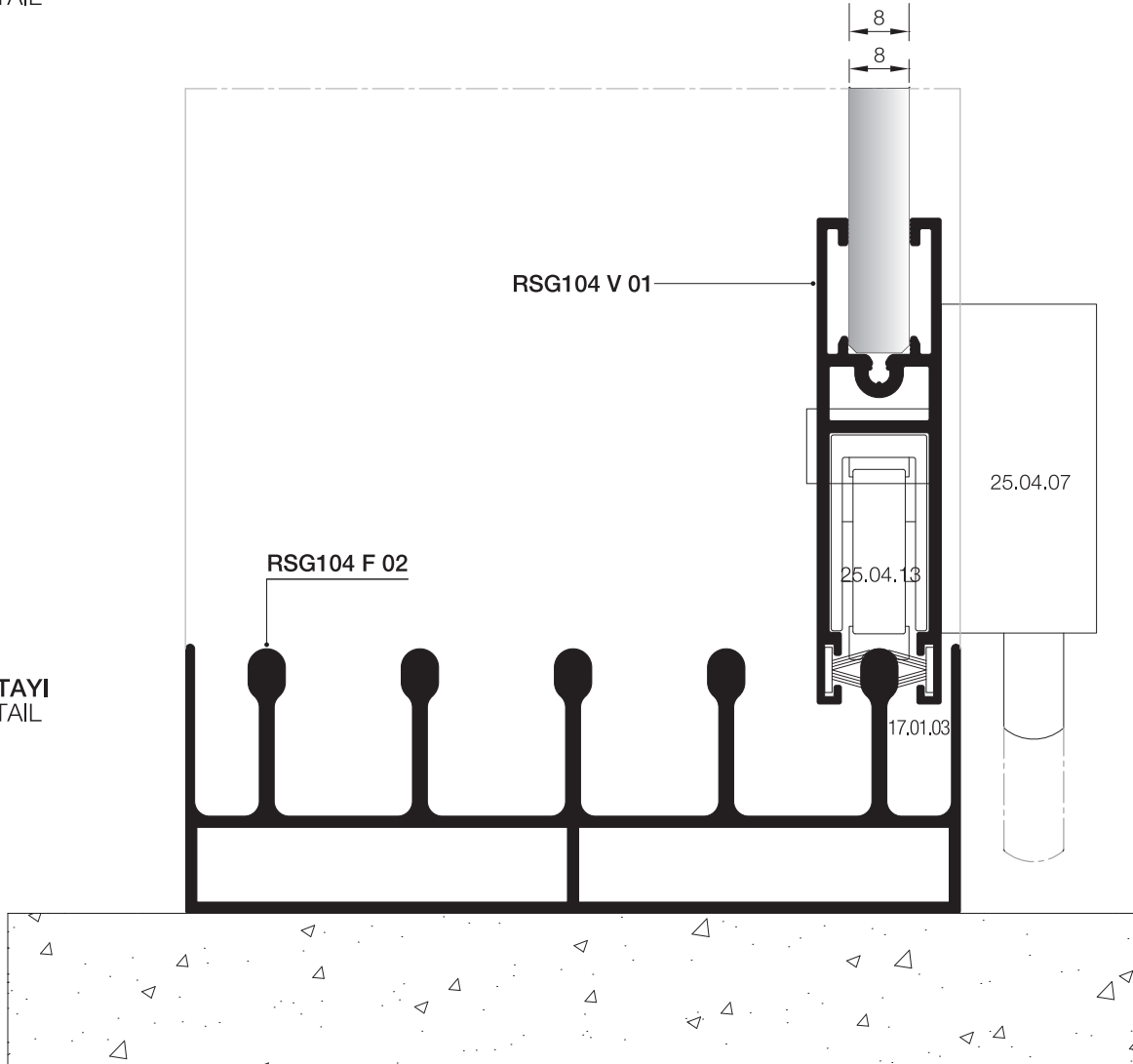




① DETAYI
DETAIL

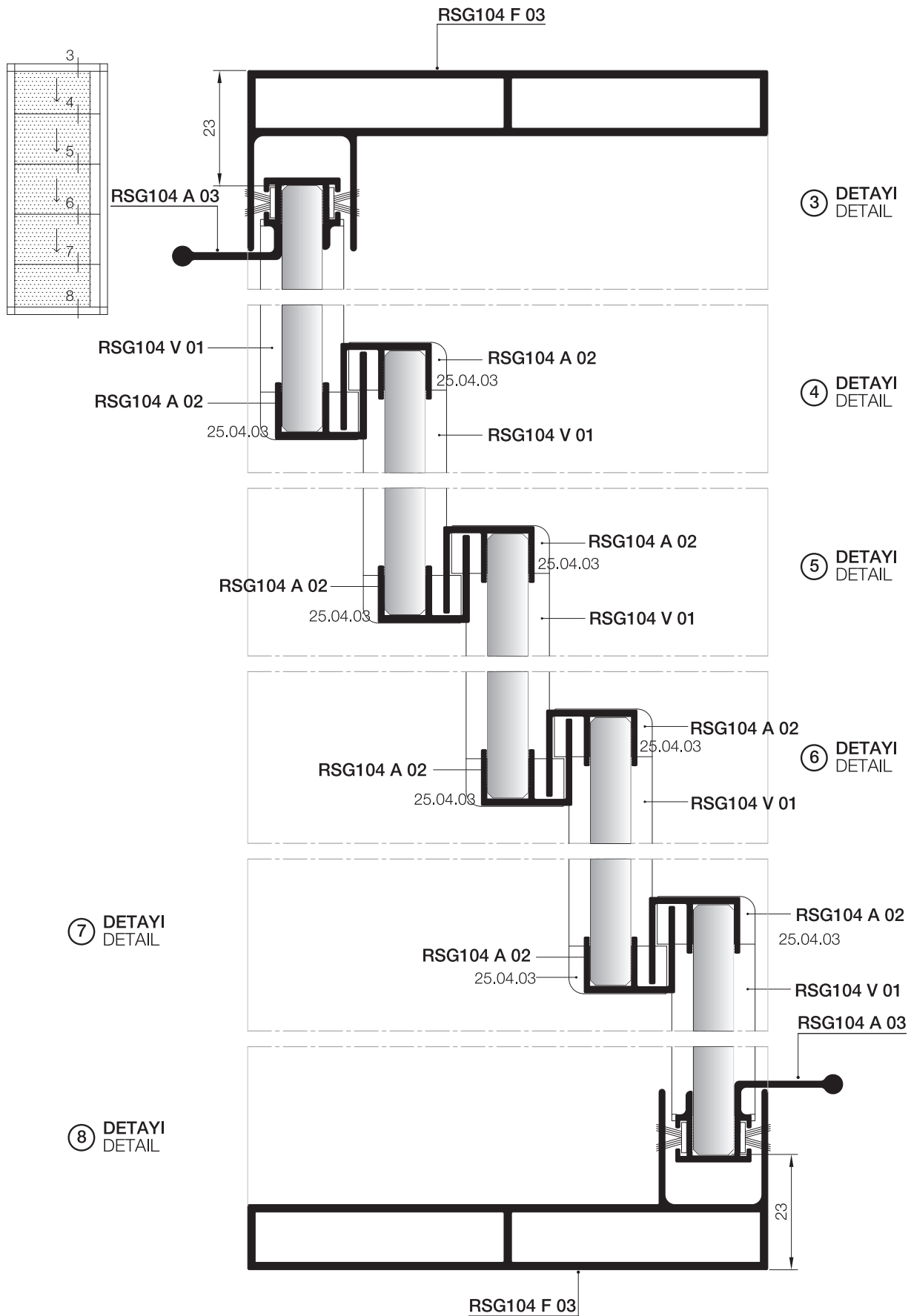


② DETAYI
DETAIL

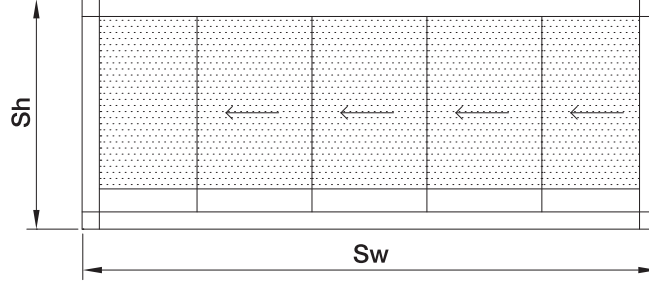


- 01
- 02
- 03
- 04
- 05
- 06
- 07
- 08
- 09
- 10

- 01
- 02
- 03
- 04
- 05
- 06
- 07
- 08
- 09
- 10



ÜRETİM MANUFACTURE



CAM EBATLARI

Cam Yüksekliği (Gh) (mm) = Sh-98

Cam Genişliği (Gw) (mm) = $\frac{Sw+18}{5}$

PROFİL KESİM ÖLÇÜLERİ

Üst ve Alt Kasa Profilleri (RSG104 F 01 ve F 02) (mm) = Sw - 72

Yan Kasa Profilleri (RSG104 F 03) (mm) = Sh - 72

Kanat Profili (RSG104 V 01) (mm) = Gw - 16

Dikme Profili (RSG104 A 03 ve A02) (mm) = Gh - 26

Üst Yatay Profili (RSG104 A 01) (mm) = Gw + 4

GLASS DIMENSIONS

Glass height (Gh) (mm) = Sh-98

Glass width (Gw) (mm) = $\frac{Sw+18}{5}$

PROFILE CUTTING MEASURES

Upper and bottom profiles (RSG104 F 01 ve F 02) (mm) = Sw - 72

Side frame profiles (RSG104 F 03) (mm) = Sh - 72

Veht profiles (RSG104 V 01) (mm) = Gw - 16

Adapter profiles (RSG104 A 03 ve A02) (mm) = Gh - 26

Adapter profiles (RSG104 A 01) (mm) = Gw + 4

01

02

03

04

05

06

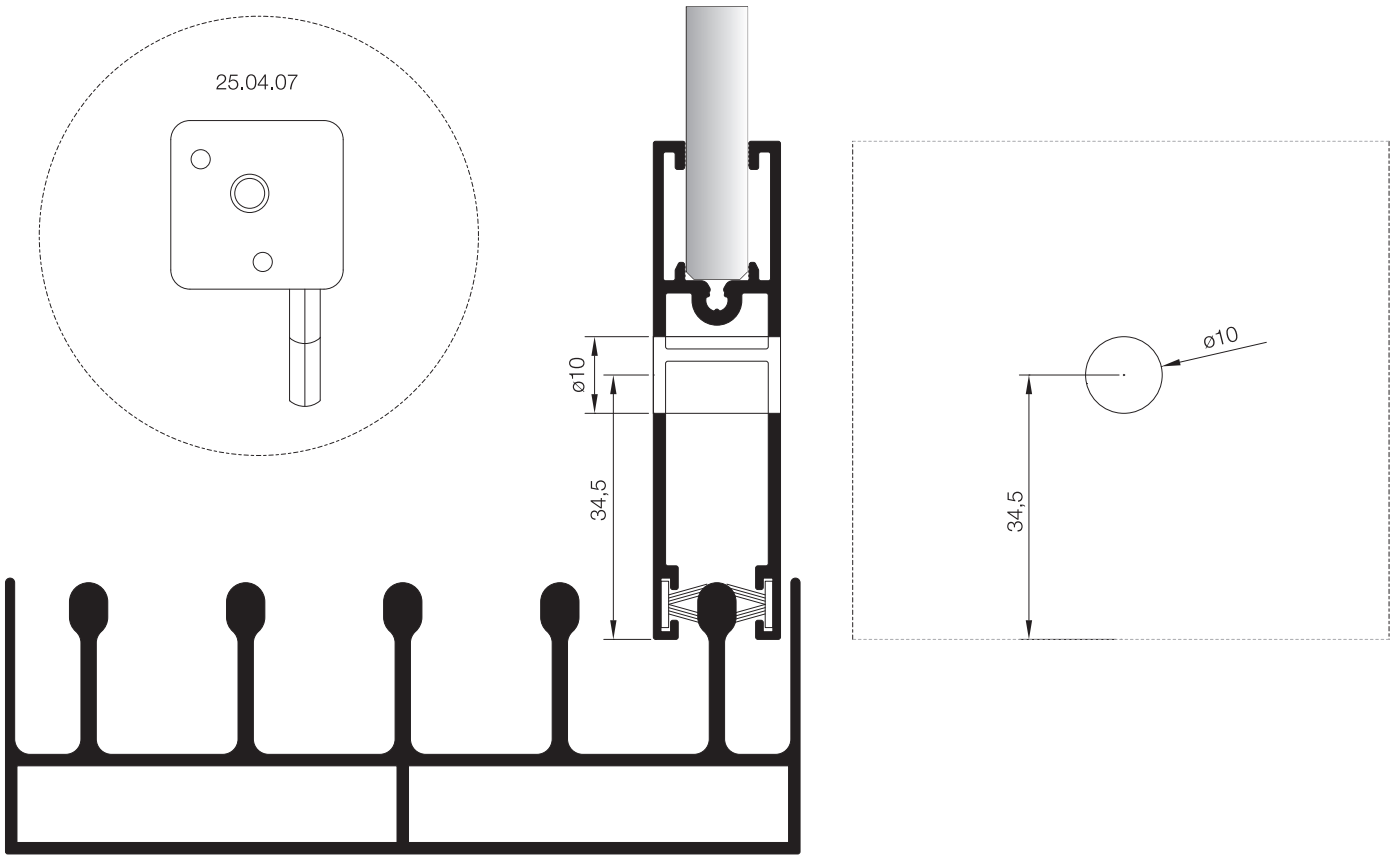
07

08

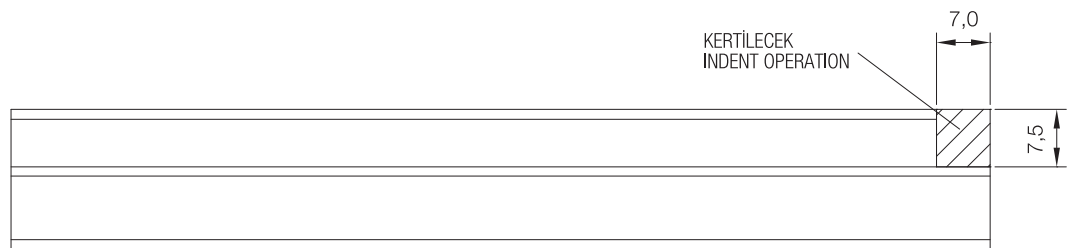
09

10

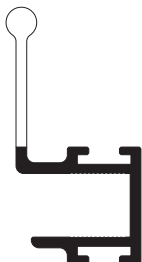
KERTME VE DELME İŞLEMLERİ INDENT AND DRILL OPERATIONS

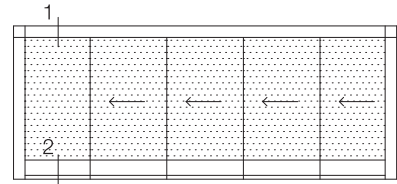


RSG104 A 02



RSG104 A 03





01

02

03

04

05

06

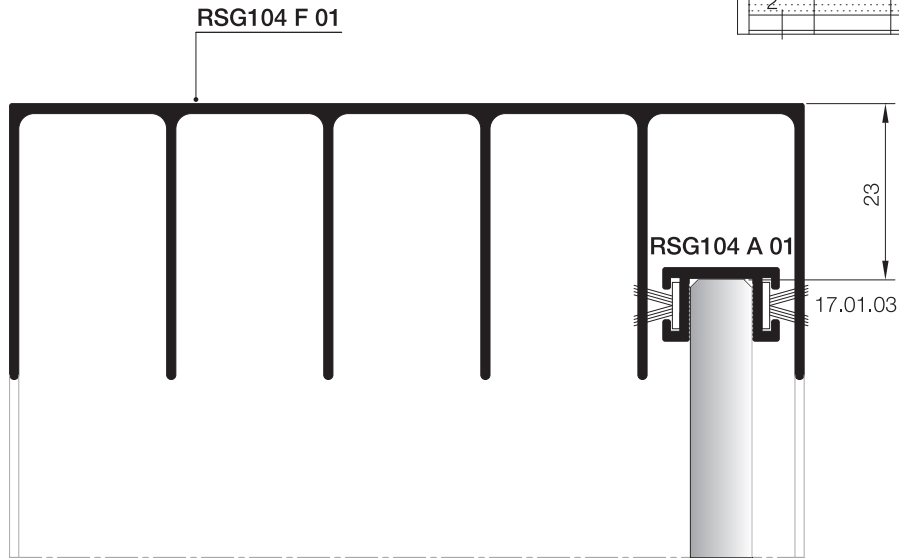
07

08

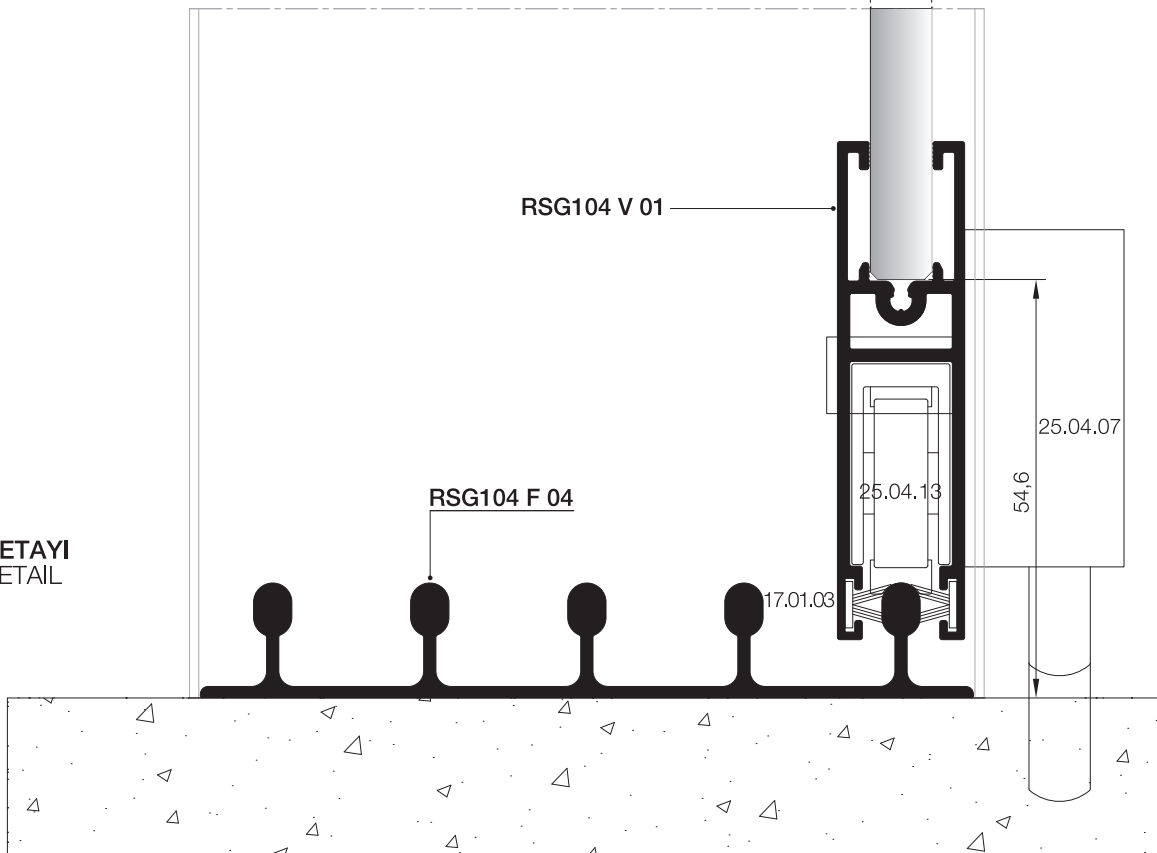
09

10

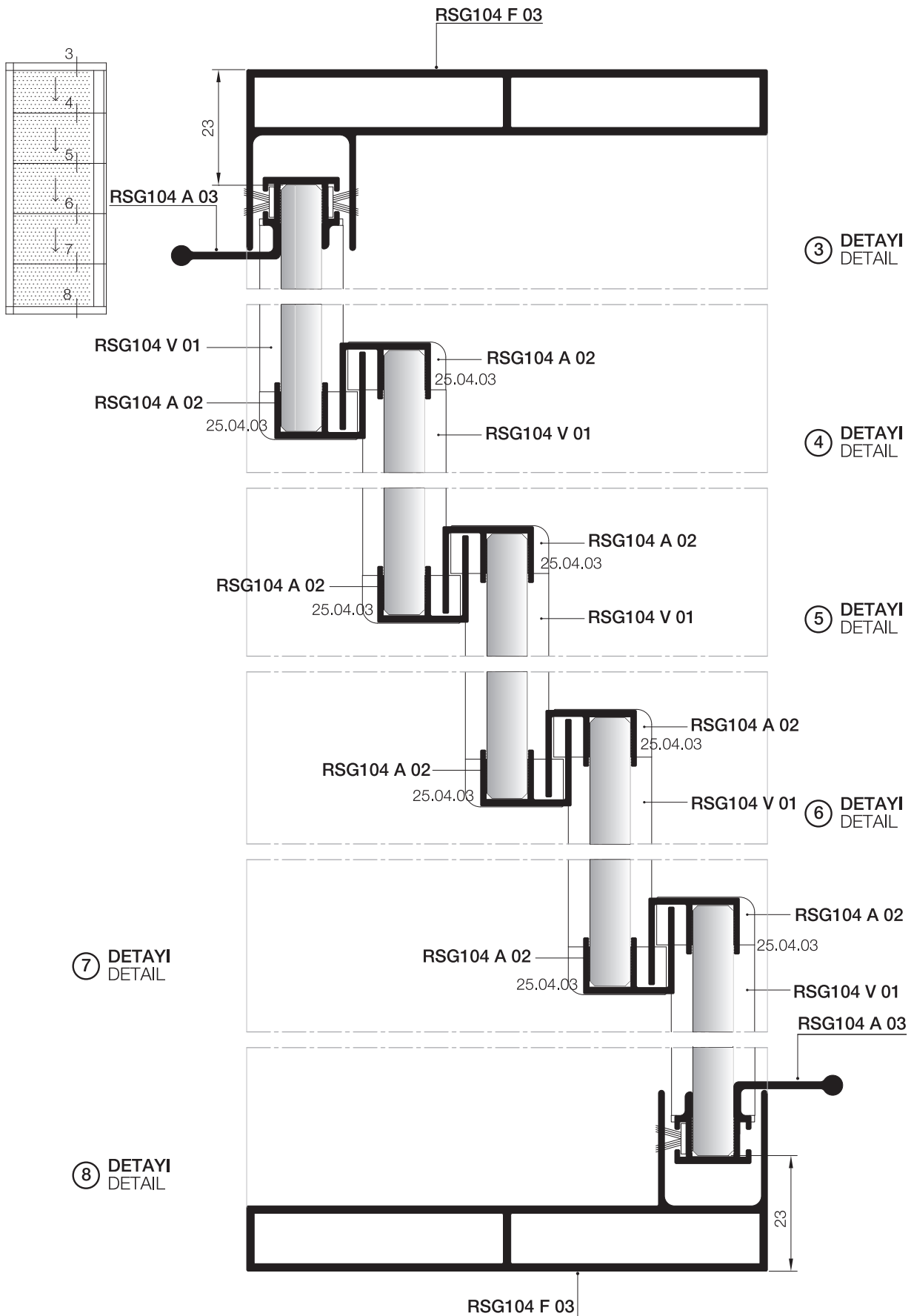
① DETAYI
DETAIL



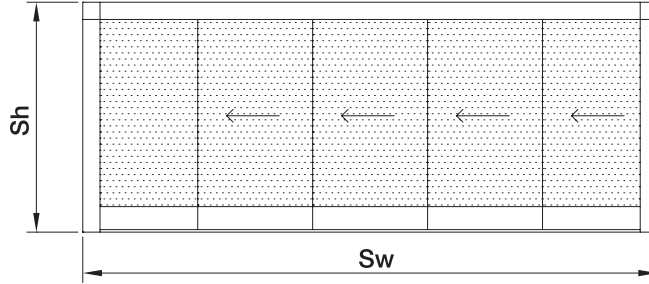
② DETAYI
DETAIL



- 01
- 02
- 03
- 04
- 05
- 06
- 07
- 08
- 09
- 10



ÜRETİM MANUFACTURE



CAM EBATLARI

Cam Yüksekliği (Gh) (mm) = Sh-78

Cam Genişliği (Gw) (mm) = $\frac{Sw+18}{5}$

PROFİL KESİM ÖLÇÜLERİ

Üst Kasa Profilleri (RSG104 F 01) (mm) = Sw - 72

Alt Kasa Profilleri (RSG104 F 04) (mm) = Sw - 26

Yan Kasa Profilleri (RSG104 F 03) (mm) = Sh - 36

Kanat Profili (RSG104 V 01) (mm) = Gw - 16

Dikme Profilleri (RSG104 A 03 ve A02) (mm) = Gh - 26

Üst Yatay Profili (RSG104 A 01) (mm) = Gw + 4

GLASS DIMENSIONS

Glass height (Gh) (mm) = Sh-78

Glass width (Gw) (mm) = $\frac{Sw+18}{5}$

PROFILE CUTTING MEASURES

Upper profile (RSG104 F 01) (mm) = Sw - 72

Bottom profile (RSG104 F 04) (mm) = Sw - 26

Side frame profiles (RSG104 F 03) (mm) = Sh - 36

Vent profiles (RSG104 V 01) (mm) = Gw - 16

Adapter profiles (RSG104 A 03 ve A02) (mm) = Gh - 26

Adapter profiles (RSG104 A 01) (mm) = Gw + 4

01

02

03

04

05

06

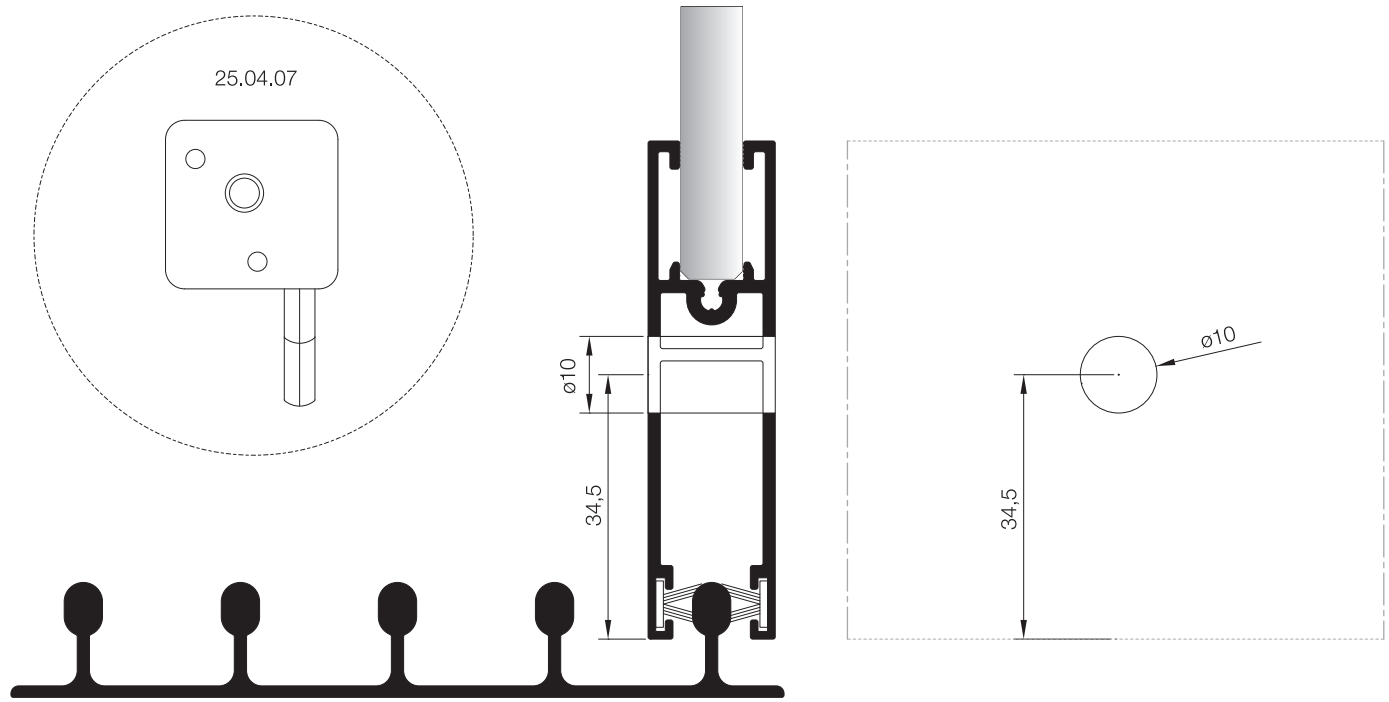
07

08

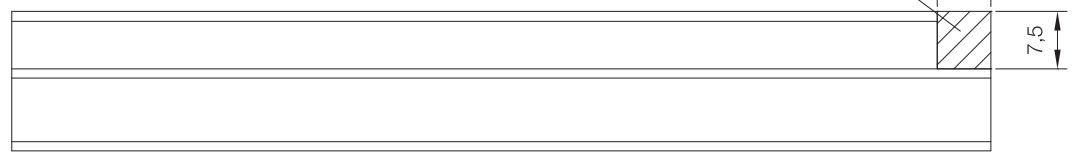
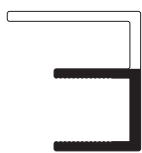
09

10

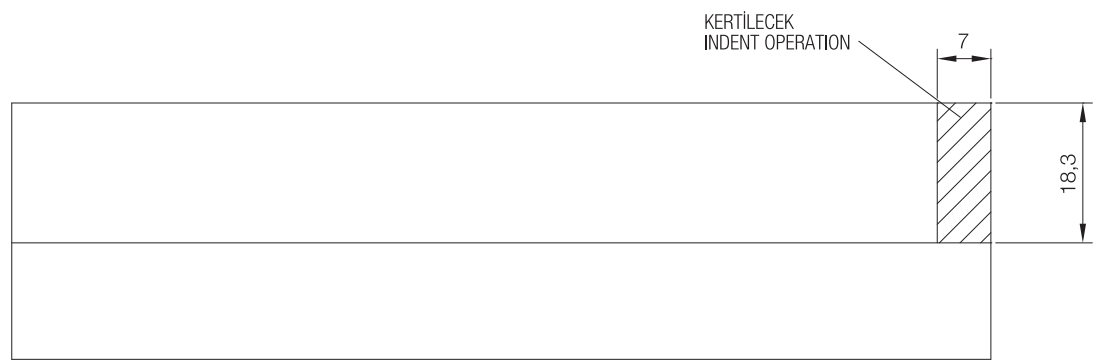
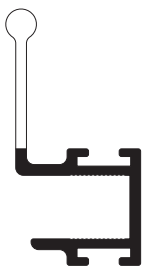
KERTME VE DELME İŞLEMLERİ INDENT AND DRILL OPERATIONS



RSG104 A 02



RSG104 A 03



01

02

03

04

05

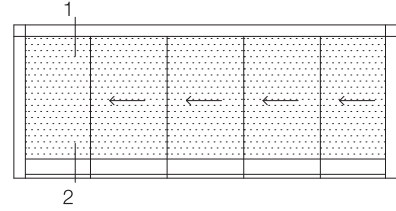
06

07

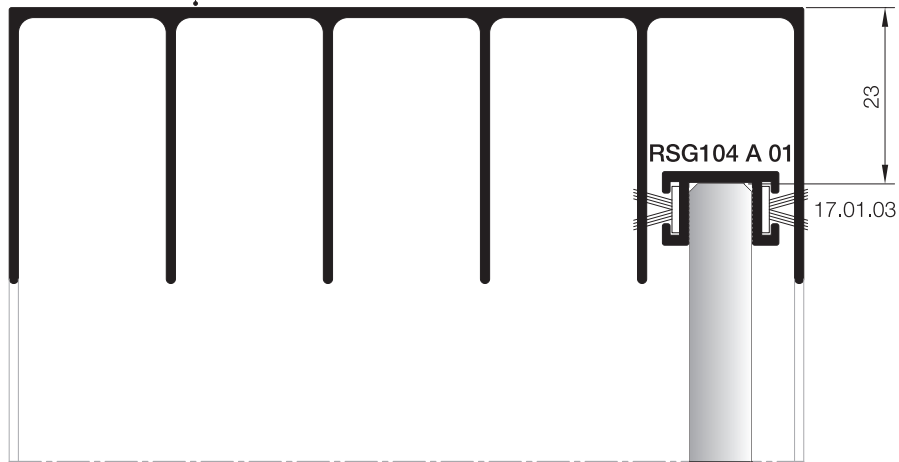
08

09

10



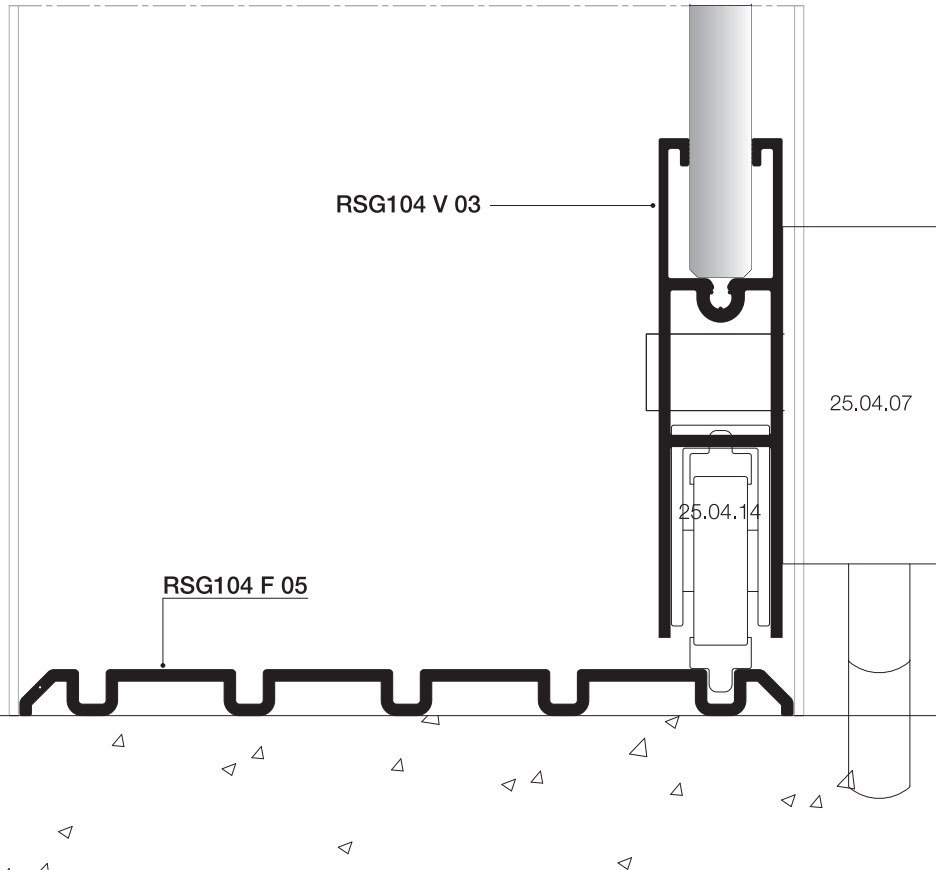
RSG104 F 01



① DETAYI
DETAIL

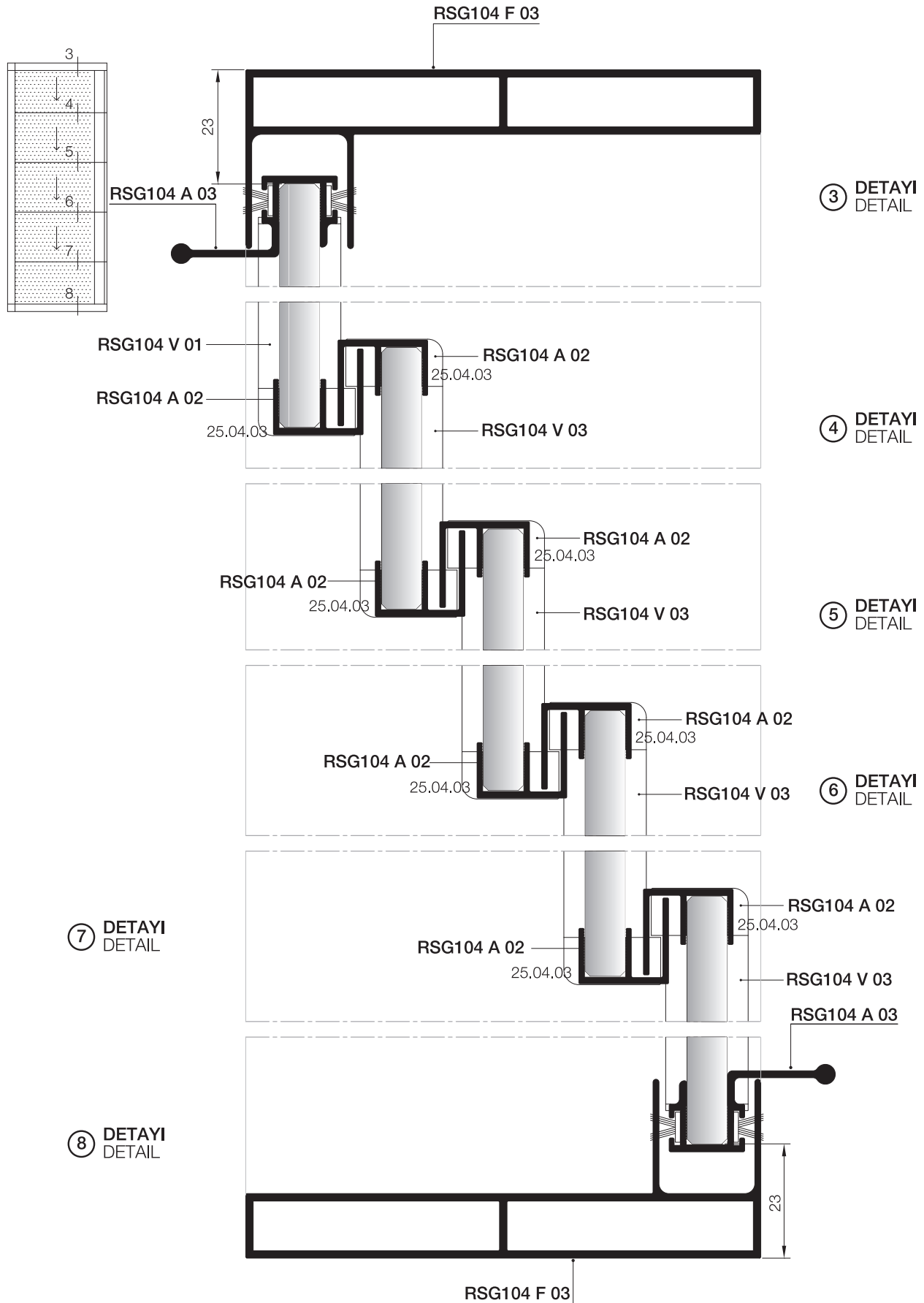
8

8

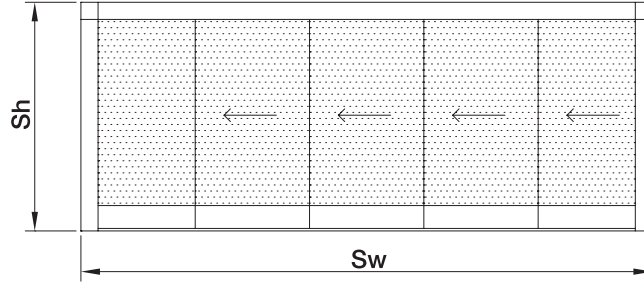


② DETAYI
DETAIL

- 01
- 02
- 03
- 04
- 05
- 06
- 07
- 08
- 09
- 10



ÜRETİM MANUFACTURE



CAM EBATLARI

Cam Yüksekliği (Gh) (mm) = Sh-80,3

Cam Geniřliđi (Gw) (mm) = $\frac{Sw+18}{5}$

PROFİL KESİM ÖLÇÜLERİ

Üst Kasa Profilleri (RSG104 F 01) (mm) = Sw - 72

Alt Kasa Profilleri (RSG104 F 05) (mm) = Sw - 26

Yan Kasa Profilleri (RSG104 F 03) (mm) = Sh - 36

Kanat Profili (RSG104 V 03) (mm) = Gw - 16

Dikme Profilleri (RSG104 A 03 ve A02) (mm) = Gh - 26

Üst Yatay Profili (RSG104 A 01) (mm) = Gw + 4

GLASS DIMENSIONS

Glass height (Gh) (mm) = Sh-80,3

Glass width (Gw) (mm) = $\frac{Sw+18}{5}$

PROFILE CUTTING MEASURES

Upper profile (RSG104 F 01) (mm) = Sw - 72

Bottom profile (RSG104 F 05) (mm) = Sw - 26

Side frame profiles (RSG104 F 03) (mm) = Sh - 36

Vent profiles (RSG104 V 03) (mm) = Gw - 16

Adapter profiles (RSG104 A 03 ve A02) (mm) = Gh - 26

Adapter profiles (RSG104 A 01) (mm) = Gw + 4

01

02

03

04

05

06

07

08

09

10

01

02

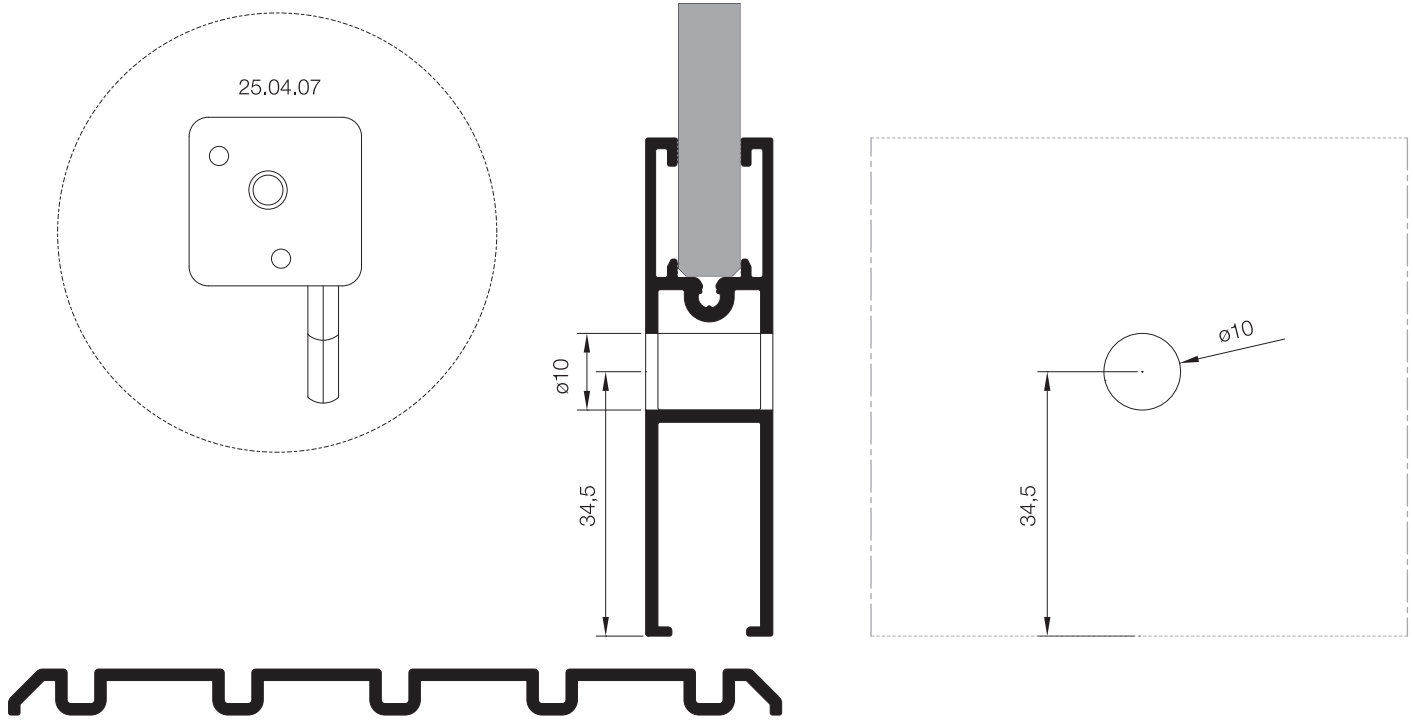
03

04

05

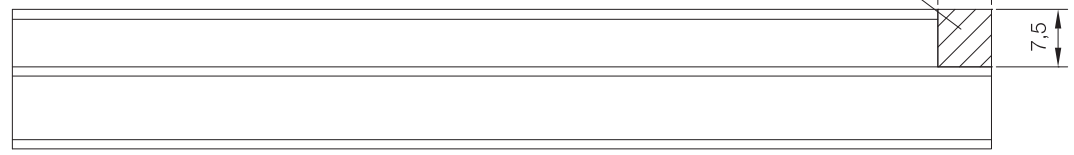
06

KERTME VE DELME İŞLEMLERİ INDENT AND DRILL OPERATIONS



07

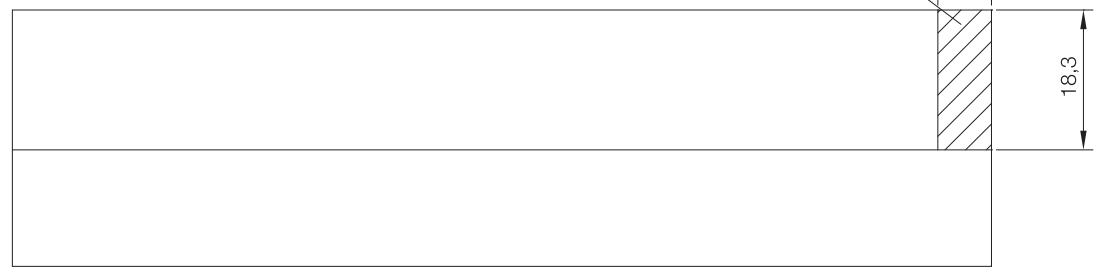
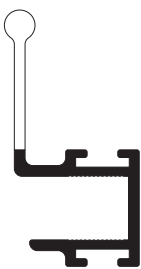
RSG104 A 02



08

09

RSG104 A 03



10

MİMARİ KATALOG ARCHITECTURAL CATALOGUE

Alüminyum Kapı Pencere ve Giydirme Cephe Sistemleri
Aluminium Window Doors and Facade Systems



Rescara Sistem Detayları
Rescara System Details

RSG104

AKSESUARLAR

ACCESSORIES

01

02

03

04

05

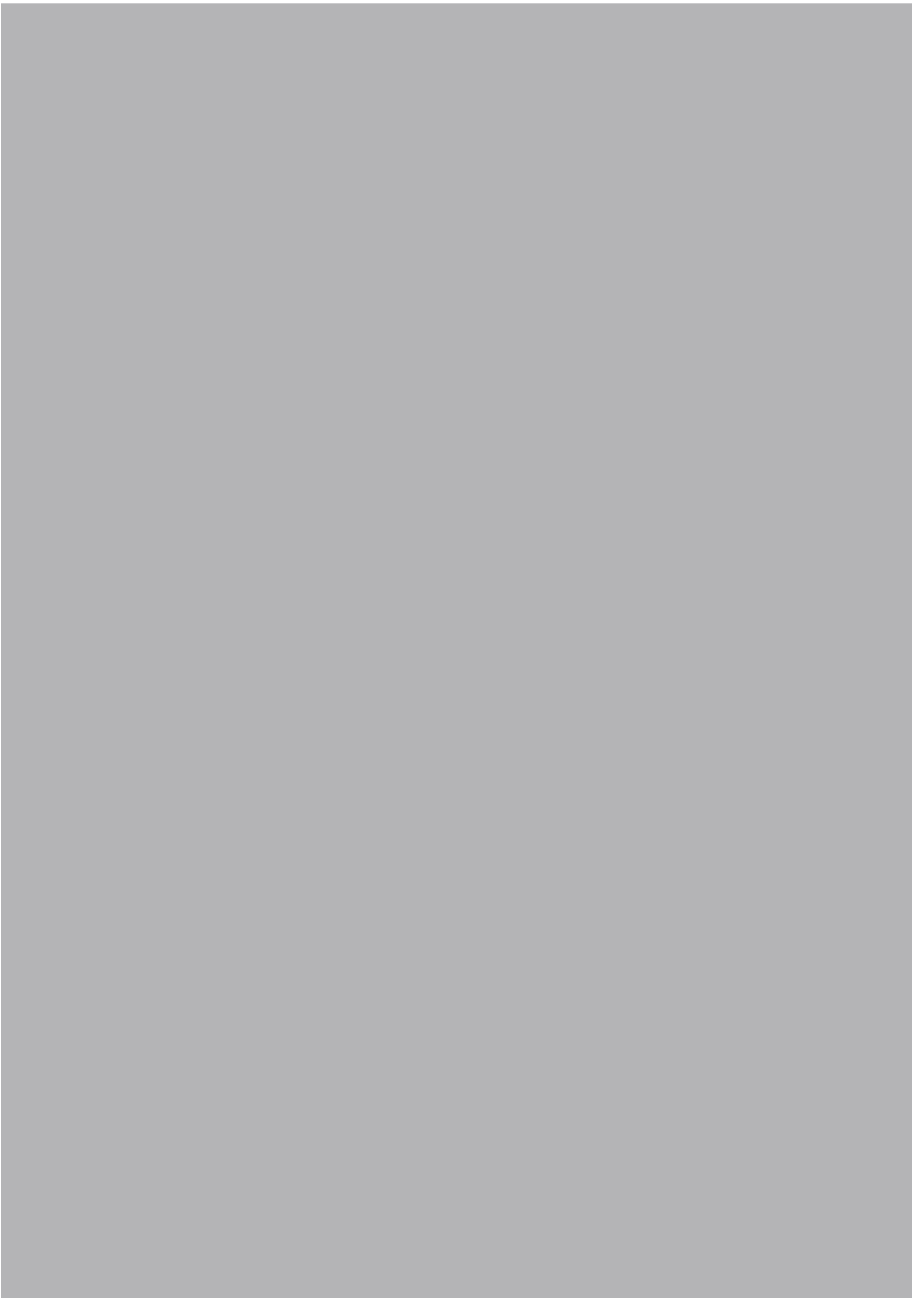
06


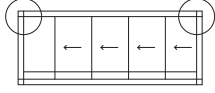
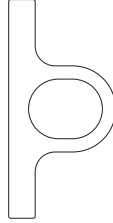
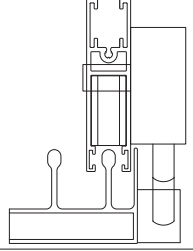

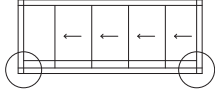

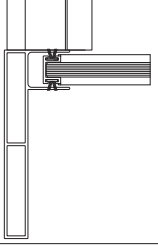

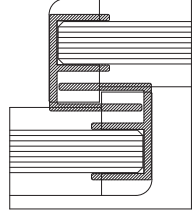

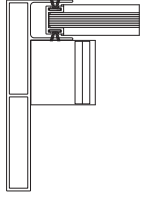

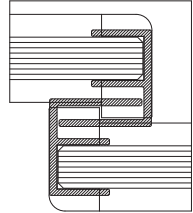

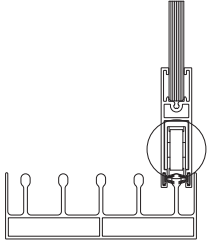

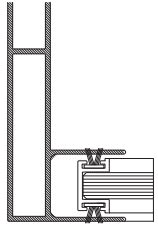

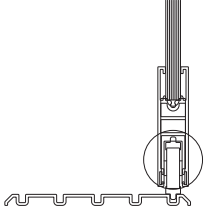

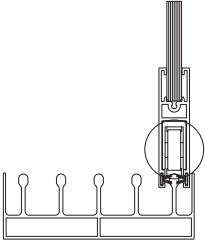

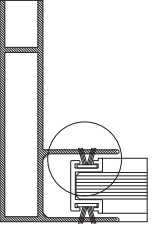
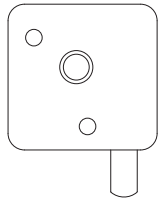
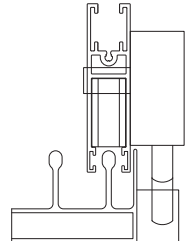
07

08

09

10



	<p>25.04.01</p> <p>KÖŞE TAKOZU CORNER CLEAT</p> <p>Malzeme / Material : PVC RSG104 F 01 - RSG104 F 03</p>			<p>25.04.08</p> <p>KİLİT KARŞILIĞI STRIKER</p>	
	<p>25.04.02</p> <p>KÖŞE TAKOZU CORNER CLEAT</p> <p>Malzeme / Material : PVC RSG104 F 02 - RSG104 F 03</p>			<p>25.04.10</p> <p>KİLİT LOCK</p>	
	<p>25.04.03</p> <p>ARKA KAPAK (SOL) CAP (LEFT)</p> <p>Malzeme / Material : PVC</p>			<p>25.04.11</p> <p>KİLİT LOCK</p>	
	<p>25.04.04</p> <p>ARKA KAPAK (SAĞ) CAP (RIGHT)</p> <p>Malzeme / Material : PVC</p>			<p>25.04.13</p> <p>AYARLI ÇİFTLİ RULMAN ADJUSTABLE DOUBLE ROLLER RSG104 V 01 İÇİN FOR RSG104 V 01</p>	
	<p>25.04.05</p> <p>BİTİŞ KAPAĞI END CAP</p> <p>Malzeme / Material : PVC</p>			<p>25.04.14</p> <p>AYARLI ÇİFTLİ RULMAN ADJUSTABLE DOUBLE ROLLER RSG104 V 03 - RSG104 F 05 İÇİN FOR RSG104 V 03 - RSG104 F 05</p>	
	<p>25.04.06</p> <p>RULMAN ROLLER RSG104 V 01 İÇİN FOR RSG104 V 01</p>			<p>25.02.37</p> <p>KİL FİTİL BRUSH</p>	
	<p>25.04.07</p> <p>KİLİT LOCK</p>				

01

02

03

04

05

06

07

08

09

10

